

HAPPY SCOOTER



IMPORTANT OPERATING ELEMENTS

- (1) Key switch (ON/OFF)
- (2) Control console
- (3) Release lever to remove the seat (front under the seat)
- (4) Battery handle for easy battery removal
- (5) Lever to engage and disengage the engine for pushing by hand

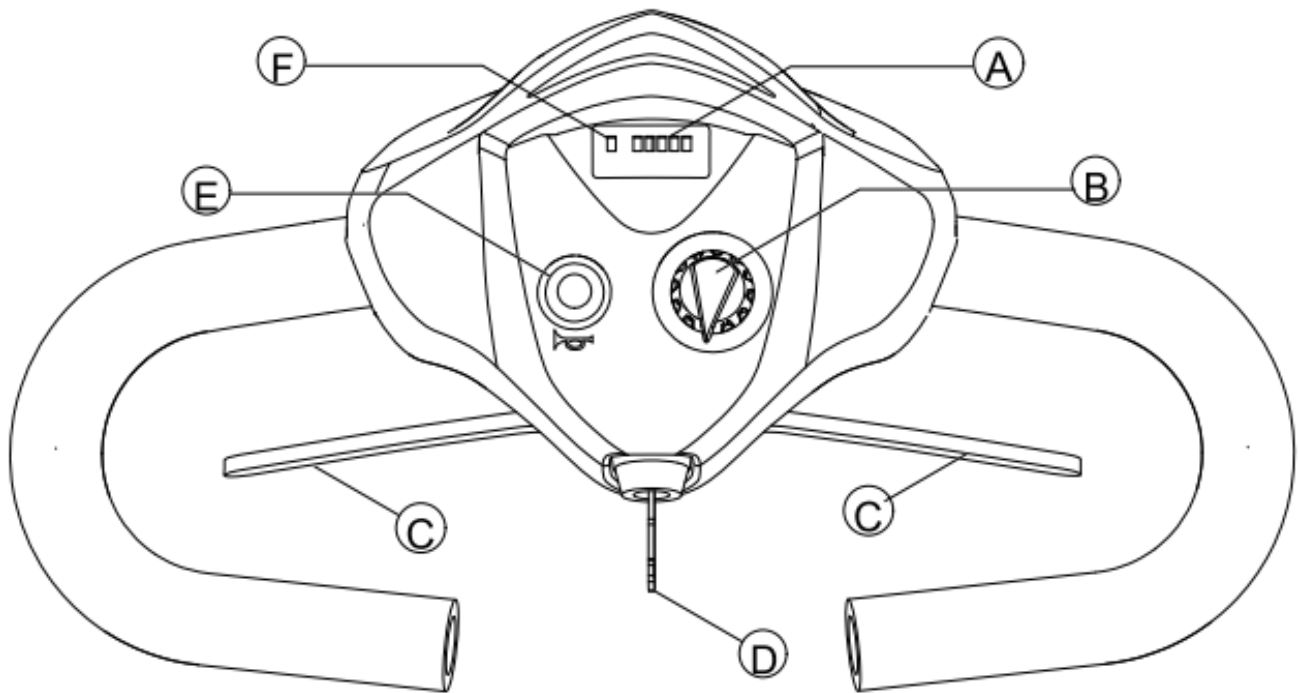


+ 41 61 262 03 67 ■ info@happyscooter.ch

WWW.HAPPYSCOOTER.CH



HAPPY SCOOTER



ARRANGEMENT OF THE CONTROL PANEL

- (A) Battery charge indicator
- (B) Speed controller
- (C) Driving lever
- (D) Key switch (ON/OFF)
- (E) Horn
- (F) Status indicator / ON/OFF diode



+ 41 61 262 03 67 ■ info@happyscooter.ch

WWW.HAPPYSCOOTER.CH

